

PE202 LOWFLOW MAG METER



APPLICATIONS

- Chemical injection
- Corrosive materials
- Low flow applications
- Pulsating flows (e.g., metering pump)

Features

- No moving parts
- Requires no straight pipe
- Pulse and/or 4–20mA output
- Chemical and corrosion resistant
- Insensitive to fluid density and fluid viscosity changes

Contact Your Supplier

The PE202 magmeter is designed for low-flow chemical injection or difficult-to-meter applications with pulsating metering pumps in 3/4" to 1/4" pipe/tube. The housing is made of sturdy splashproof HDPE plastic.

With no moving parts, the PE202 can handle fluids containing particulate matter without clogging or jamming, keeping maintenance at a minimum. With no metallic parts (100% PVDF body and PVDF carbon fiber-filled electrodes), the meter is corrosion-resistant and compatible with a wide range of chemicals. Accuracy is maintained with conductive fluids (>20 microSiemens) of varying viscosities and densities.

The PE meter is compact enough to fit most pump/injection systems. With zero straight pipe required after an elbow, it can be easily mounted in tight spaces. The mounting bracket adds stability.

The PE meter has an optoisolated current sinking pulse output that can be connected to the Seametrics FT430/440rate/total display or FT520 batch processor, as well as an optoisolated 4–20 mA current loop for powering analog devices. Outputs and power are provided through a 20 foot (6 meter) cable with 8-pin female circular connector.



PE202 LOWFLOW MAG METER

Features



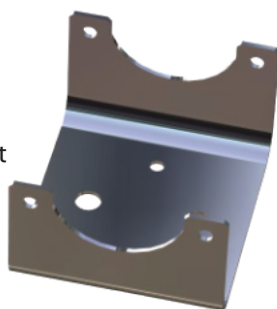
Mounting bracket

8-pin circular bulkhead connector, 20 foot (6 meter) cable provided

Internals made of chemical and corrosion-resistant PVDF

Sturdy HDPE housing

½" male NPT fittings standard



Threaded male or female NPT adapters can be purchased separately (available in PVDF and PP) (Female NPT available in 1/2" only)

Specifications*

Pipe Size		3/4", 1/2", 3/8", 1/4" **
Fittings		1/2" NPT fittings standard in 3/4" or 3/8" flowbody. NPT threaded adapters available for above pipe sizes.
Materials	Body	PVDF
	Electrodes	PVDF carbon fiber filled
	Ground	PVDF carbon fiber filled
	Housing	HDPE with 25% glass
	Adapters (NPT)	Polypropylene or PVDF
Temperature	Ambient	0° to 130°F (-18° to 54°C)
	Fluid	32° to 200°F (0° to 93°C)
Pressure		150 psi
Flow Range	-075	20 GPM max. (0.2 GPM cutoff)
	-038	3 GPM max. (0.03 GPM cutoff)
Accuracy	-075	±1% plus ±0.005GPM of reading across rated range
	-038	±1% plus ±0.002GPM of reading across rated range
Output Signal		Optoisolated current sinking or current sourcing pulse output: 30 Vdc, 5 mA max Optoisolated 4-20mA current loop: 7 Vdc plus load voltage drop min; 50 Vdc max
	-075	500 pulses/liter (1892 pulses/gallon)
	-038	1000 pulses/liter (3785 pulses/gallon)
Power		10-15 Vdc, 150 mA (linear power supply recommended)
Conductivity		>20 microSiemens
Empty Pipe Detection		Hardware/software, conductivity-based
Environmental		NEMA 4X standard; IP66 splashproof standard

* Specifications subject to change • Please consult our website for current data (seametrics.com).

** Requires adaptors

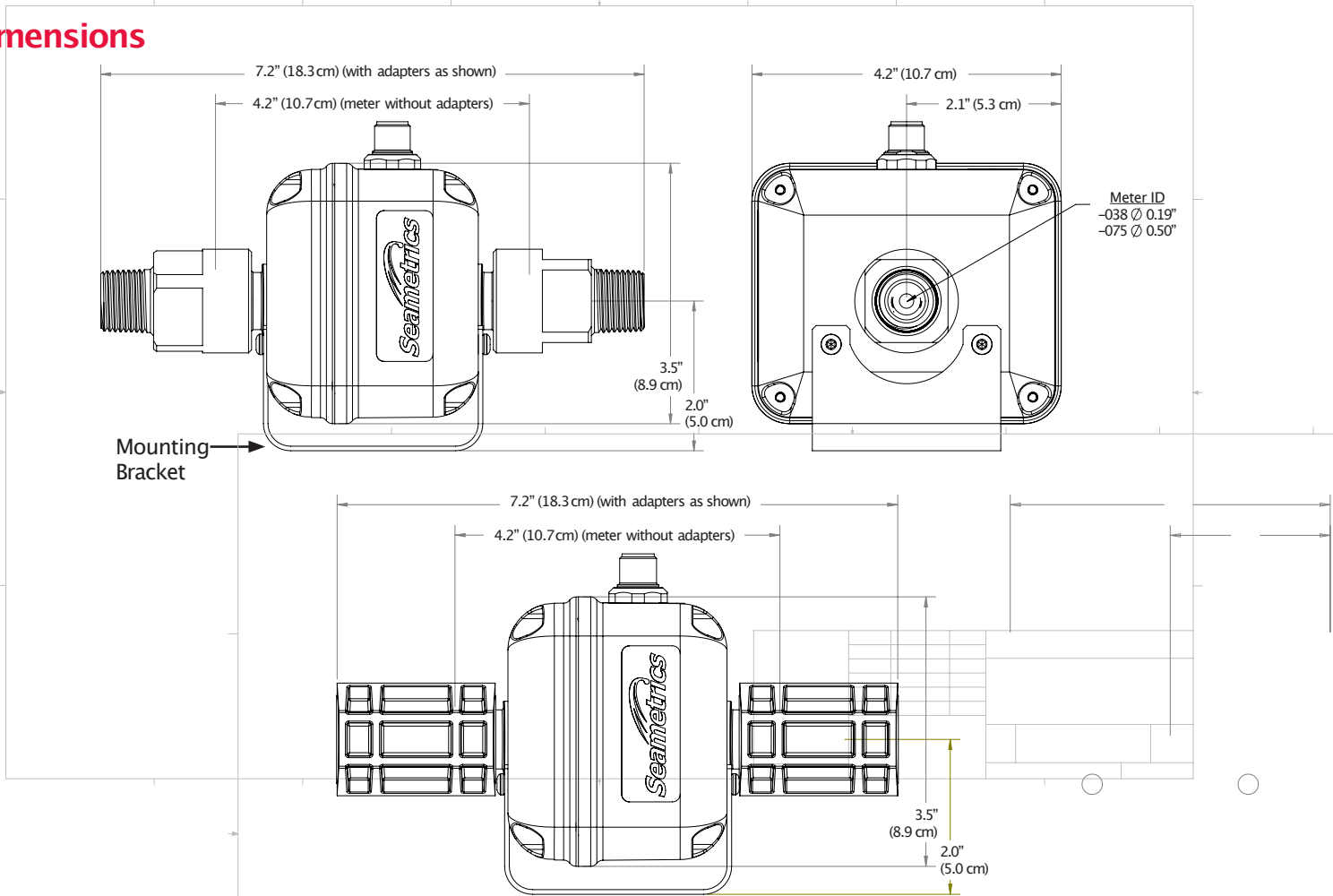
NOTE: Consult factory for applications flowing sodium hypochlorite, sodium chlorite, sodium chlorate.

For applications with the listed chemicals, the following conditions apply:

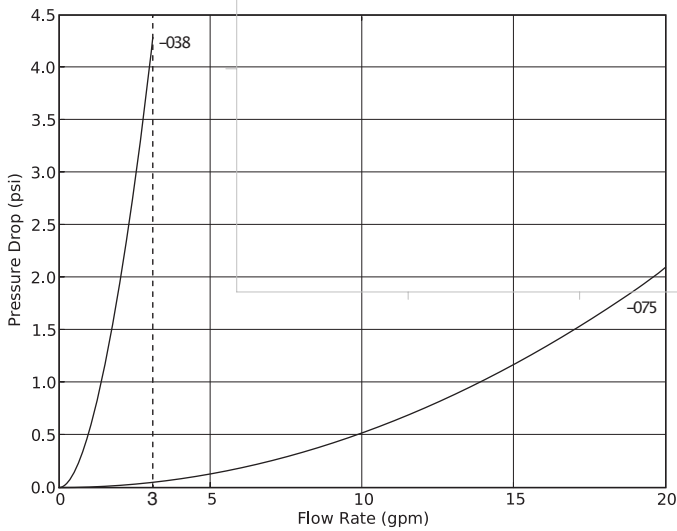
- Max concentration 15% / Max temperature 100°F
- Flow is greater than 20% of max for accurate reading

PE202 LOWFLOW MAG METER

Dimensions



Pressure Drop Curve



PE202-075 with 3/4" adapters.
 PE202-038 with 3/8" adapters.
 Actual curve dependant on pipe size/fittings

PE202 LOWFLOW MAG METER

HOW TO ORDER

MODEL	SIZE	FITTINGS
PE202	3/4" = -075 3/8" = -038	Meter comes standard with 1/2-14 MNPT Fittings
PE202		

ACCESSORIES:

Rate and Total Indicator = **FT430**

Rate and Total Indicator = **FT440**

Batch Flow Processor = **FT520**

Single 12 Vdc Regulated Power Supply = **PC12**

Dual 12-24 Vdc Regulated Power Supply = **PC42**

Adapter Options:

- 103411 PE202 PVDF Adapter Kit 1/2" FNPT
- 103412 PE202 PVDF Adapter Kit 1/4" MNPT
- 103413 PE202 PP Adapter Kit 1/4" MNPT
- 103414 PE202 PVDF Adapter Kit 3/8" MNPT
- 103415 PE202 PP Adapter Kit 3/8" MNPT
- 103416 PE202 PVDF Adapter Kit 1/2" MNPT
- 103417 PE202 PP Adapter Kit 1/2" MNPT
- 103418 PE202 PVDF Adapter Kit 3/4" MNPT
- 103419 PE202 PP Adapter Kit 3/4" MNPT