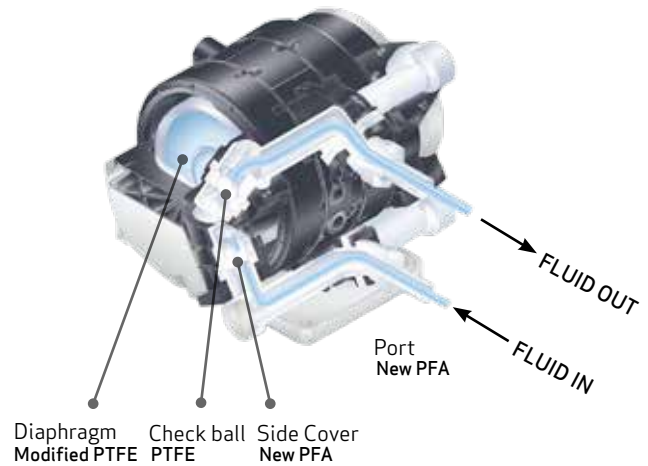




PAF3000/5000 process pump series

The PAF series of process pumps are made from PFA wetted materials and provide excellent corrosion resistance.

Annotated pump diagram



FEATURES & BENEFITS

- New wetted material construction provides excellent corrosion resistance
- Metal-free construction but made with fluororesin
- Diaphragm/seal material made from PTFE
- Assembled in a clean room & double packaged
- Lightweight and compact
- Triple and quadruple-seal construction options

PROCESS PUMP VARIATIONS



MODEL	BODY MATERIAL	DIAPHRAGM MATERIAL	DISCHARGE FLOW RATE (L/MIN)	FITTING TYPE	OPTION
Automatically operated	New PFA	Modified PTFE	1 to 20	Female threaded Tube extension with nut	Foot (Note 1) Silencer (Note 2)
			5 to 45		
Air operated type			1 to 15		
			5 to 38		

Note 1) Equipped with the PAF5000 series as standard equipment. Note 2) Automatically operated only



Female threaded



Tube extension



With nut



SPECIFICATIONS

PAF 3000 SERIES

MODEL		PAF3410	PAF3413
Operation method		Automatically operated	Air operated
Port Size	Main fluid suction discharge port	Rc, G, NPT 3/8" Female thread, 1/2" tube extension, with nut (size 4, 5)	
	Pilot air supply/exhaust port	Rc, G, NPT 1/4"	Rc, G, NPT 1/8"
Discharge flow rate		1 to 20 l/min	1 to 15 l/min
Average discharge pressure		0 to 0.4 MPa	
Pilot air pressure		0.2 to 0.5 MPa (for 0 to 60°C)	
Air consumption		230 l/min (ANR) or less	
Suction lifting	Dry	Up to 1 m (inside the pump is dry)	
	Wet	Up to 4 m (with fluid inside the pump)	
Noise		80 db (A) or less (Option: with silencer, AN200)	80 db (A) or less (excluding the noise from the quick exhaust and solenoid valve)
Withstand pressure		0.75 MPa	
Service life		50 million cycles (for water)	
Operating fluid temperature		0 to 90°C (with no freezing)	
Ambient temperature		0 to 70°C (with no freezing)	
Recommended operation cycle		-	2 to 4 Hz
Weight (without foot bracket)		1.6 kg	1.3 kg
Mounting		Horizontal (mounting on the bottom surface)	
Packaging		Clean double packaging	

PAF 5000 SERIES

MODEL		PAF5410	PAF5413
Operation method		Automatically operated	Air operated
Port Size	Main fluid suction discharge port	Rc, G, NPT 3/8" Female thread, 1/2" tube extension, with nut (size 4, 5)	
	Pilot air supply/exhaust port	Rc, G, NPT 1/4"	
Discharge flow rate		5 to 45 l/min	5 to 38 l/min
Average discharge pressure		0 to 0.4 MPa	
Pilot air pressure		0.2 to 0.5 MPa (for 0 to 60°C)	
Air consumption		300 l/min (ANR) or less	
Suction lifting	Dry	Up to 1 m (inside the pump is dry)	
	Wet	Up to 4 m (with fluid inside the pump)	
Noise		80 db (A) or less (Option: with silencer, AN200)	80 db (A) or less (excluding the noise from the quick exhaust and solenoid valve)
Withstand pressure		0.75 MPa	
Service life		50 million cycles (for water)	
Operating fluid temperature		0 to 90°C (with no freezing)	
Ambient temperature		0 to 70°C (with no freezing)	
Recommended operation cycle		-	1 to 3 Hz
Weight (without foot bracket)		16 Kg	
Mounting		Horizontal (mounting on the bottom surface)	
Packaging		Clean double packaging	

ORDERING CODES

PAF3410

Female Thread



Actuation

Symbol	Actuation
0	Automatically operated
3	Air operated

Thread type

Symbol	Type
-	Rc
N	NPT
F	G

Port size

Symbol	Actuation
0	Automatically operated
3	Air operated

Option

Symbol	Option	Applicable actuation	
		Automatically operated	Air operated
0	None	●	●
B	With foot	●	●
N	With silencer	●	-

PAF341

Tube Extension



Actuation

Symbol	Actuation
0	Automatically operated
3	Air operated

Tubing size

Symbol	Main fluid connection size
13	1/2"

Thread type

Symbol	Type
-	Rc
N	NPT
F	G

Option

Symbol	Option	Applicable actuation	
		Automatically operated	Air operated
0	None	●	●
B	With foot	●	●
N	With silencer	●	-

PAF341

With Nut



Actuation

Symbol	Actuation
0	Automatically operated
3	Air operated

Fitting type

Symbol	Fitting type
1	LQ1
3	LQ3

Fitting size

Symbol	IN side	OUT side	Fitting type	
			LQ1	LQ3
13		4	●	●
1319	4	5	●	-
1913	5	4	●	-
19		5	●	-

Thread type

Symbol	Type
-	Rc
N	NPT
F	G

Option

Symbol	Option	Applicable actuation	
		Automatically operated	Air operated
-	None	Automatically operated	Air operated
B	With foot		
N	With silencer		

ORDERING CODES

PAF5410

Female Thread



Actuation

Symbol	Actuation
0	Automatically operated
3	Air operated

Thread type

Symbol	Type
-	Rc
N	NPT
F	G

Port size

Symbol	Actuation
06	3/4"

Option

Symbol	Option	Applicable actuation	
		Automatically operated	Air operated
0	None	●	●
N	With silencer	●	-

PAF541

Tube Extension



Actuation

Symbol	Actuation
0	Automatically operated
3	Air operated

Thread type

Symbol	Type
-	RC
N	NPT
F	G

Port size

Symbol	Type
06	3/4"

Option

Symbol	Option	Applicable actuation	
		Automatically operated	Air operated
0	None	●	●
N	With silencer	●	-

PAF541

With Nut



Actuation

Symbol	Actuation
0	Automatically operated
3	Air operated

Fitting type

Symbol	Fitting type
1	LQ1
3	LQ3

Fitting size

Symbol	IN side	OUT side	Fitting type	
			LQ1	LQ3
19		5	●	●
1925	5	6	●	-
2519	6	5	●	-
25		6	●	-

Thread type

Symbol	Type
-	Rc
N	NPT
F	G

Option

Symbol	Option	Applicable actuation	
		Automatically operated	Air operated
-	None	●	●
N	With silencer	●	-



Service & Warranty: For technical assistance, warranty replacement or repair contact your distributor:

UK Flowtechnik Ltd. 1 Central Park, Lenton Lane, Nottingham, NG7 2NR, UK.

Tel: +44 (0) 115 901 7111. Email: sales@ukflowtechnik.com. Web: www.ukflowtechnik.com