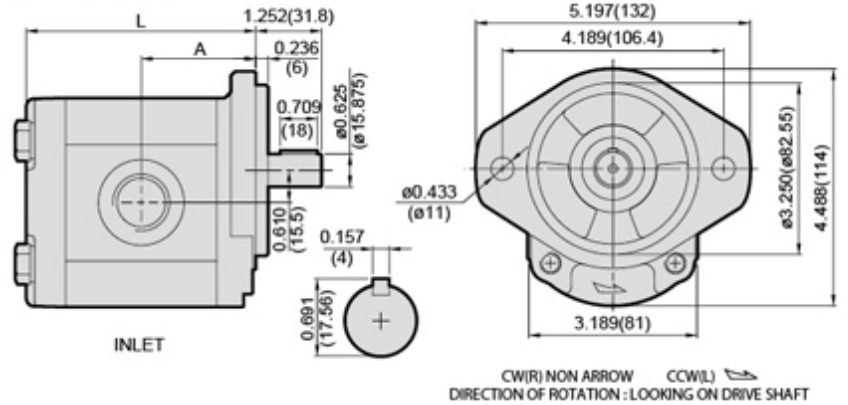


OVERALL DIMENSIONS



ORDERING EXAMPLE



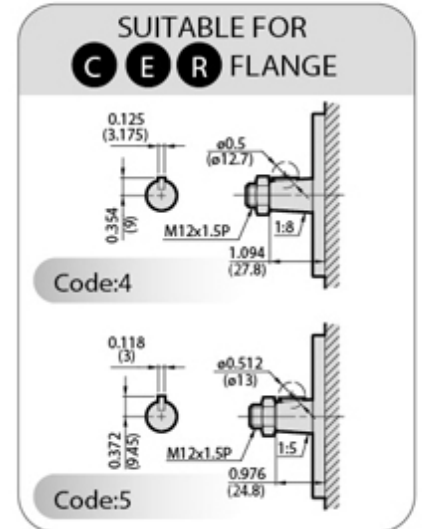
If you need pump with displ.0.98 c.i.r and rotation is cw, the model number is: **2GG1U16R**

PERFORMANCE DATA

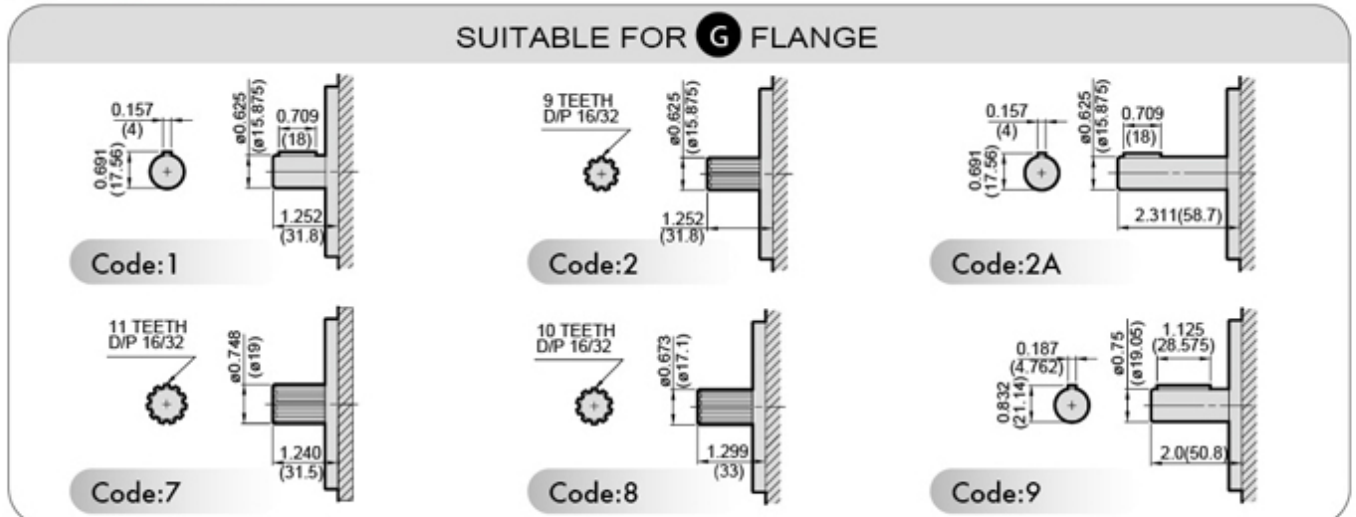
MODEL	DISPLACEMENT		PRESSURE psi(MPa)		RPM RANGE	DIMENSIONS Inch (mm)		WEIGHT	
	c.i.r	cm ³ /r	CONTINUOUS	MAX.		A	L	Kg	LBS
04	0.24	4.0	3500(25)	4200(30)	600	1.658(42.1)	3.433(87.2)	3.23	7.11
05	0.30	5.0	3500(25)	4200(30)		1.687(42.9)	3.493(88.7)	3.27	7.19
06	0.38	6.2	3500(25)	4200(30)		1.717(43.6)	3.552(90.2)	3.32	7.30
07	0.43	7.0	3500(25)	4200(30)		1.746(44.4)	3.611(91.7)	3.36	7.39
08	0.52	8.4	3500(25)	4200(30)		1.796(45.6)	3.709(94.2)	3.41	7.50
09	0.58	9.5	3500(25)	4200(30)		1.825(46.4)	3.768(95.7)	3.45	7.59
11	0.69	11.3	3500(25)	4200(30)	4000	1.884(47.9)	3.886(98.7)	3.53	7.77
14	0.85	14.0	3500(25)	4200(30)		1.963(49.9)	4.044(102.7)	3.64	8.01
16	0.98	16.0	3500(25)	4200(30)		2.002(51.4)	4.162(105.7)	3.74	8.23
18	1.10	18.0	3500(25)	4200(30)		2.081(52.9)	4.280(108.7)	3.80	8.36
20	1.20	19.5	3300(23)	3800(27)		2.160(54.9)	4.437(112.7)	3.89	8.56
22	1.31	21.5	3000(21)	3500(25)		2.180(55.4)	4.477(113.7)	3.96	8.71
24	1.44	23.5	2550(18)	3100(22)	600 (*)2500	2.258(57.4)	4.634(117.7)	4.01	8.82
26	1.53	25.0	2550(18)	3100(22)		2.317(58.9)	4.752(120.7)	4.10	9.02
28	1.71	28.0	2300(16)	2700(19)		2.396(60.9)	4.910(124.7)	4.19	9.22
30	1.84	30.0	2100(15)	2550(18)		2.475(62.9)	5.067(128.7)	4.30	9.46
33	2.02	33.0	2000(14)	2300(16)		2.554(64.9)	5.225(132.7)	4.41	9.70

*More then 2500 qualified per applications.

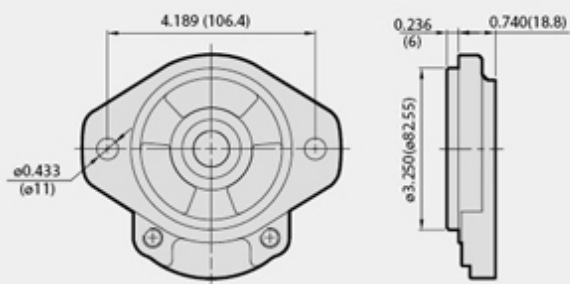
DRIVE SHAFTS



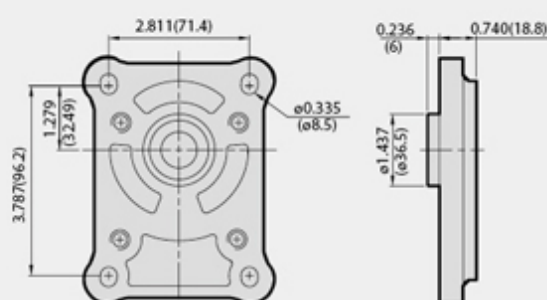
DRIVE SHAFTS



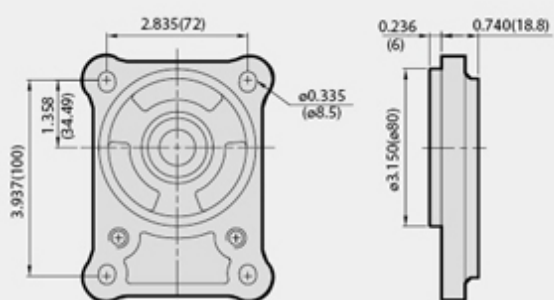
■ MOUNTING FLANGES



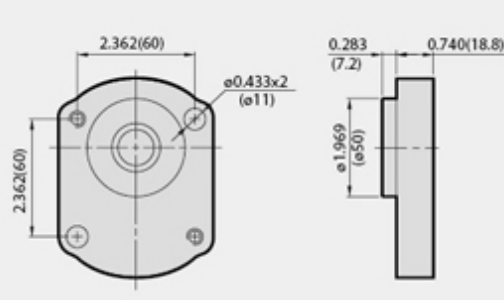
2G & 2D Series-Code:G
2M Series-Code:M



Code:C



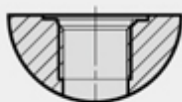
Code:E



Code:R

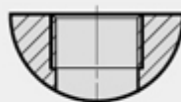
■ PORTS

UNF



Code	From "04" to "22"		From "24" to "33"	
	INLET	OUTLE	INLET	OUTLET
U	UNF# 12 1-1/16"-12	UNF# 10 7/8"-14	UNF# 16 1-5/16"-12	UNF# 12 1-1/16"-12

PT \ NPT \ BSPF



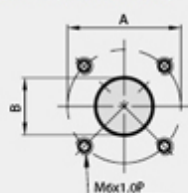
Code	From "04" to "22"		From "24" to "33"	
	INLET	OUTLE	INLET	OUTLET
P	PT 3/4"	PT 1/2"	PT 1"	PT 3/4"
N	NPT 3/4"	NPT 1/2"	NPT 1"	NPT 3/4"
B	BSPF 3/4"	BSPF 1/2"	BSPF 1"	BSPF 3/4"

REAR PORT

FOR "2G SERIES" ONLY

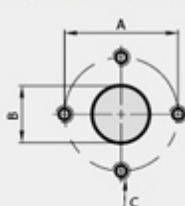


FLANGE (SQUARE)



Code	From "04" to "33"			
	INLET		OUTLET	
F	A	B	A	B
	ø1.575 (ø40)	ø0.787 (ø20)	ø1.380 (ø35)	ø0.591 (ø15)

FLANGE (DIAMOND)



Code	From "04" to "33"					
	INLET			OUTLET		
E	A	B	C	A	B	C
	ø1.575 (ø40)	ø0.748 (ø19)	M8 X 1.25P	ø1.181 (ø30)	ø0.512 (ø13)	M6 X 1.0P

Code	From "04" to "33"	
	INLET	OUTLET
Z	UNF# 16 1-5/16"-12	UNF# 12 1-1/16"-12
Y	PT 1"	PT 3/4"