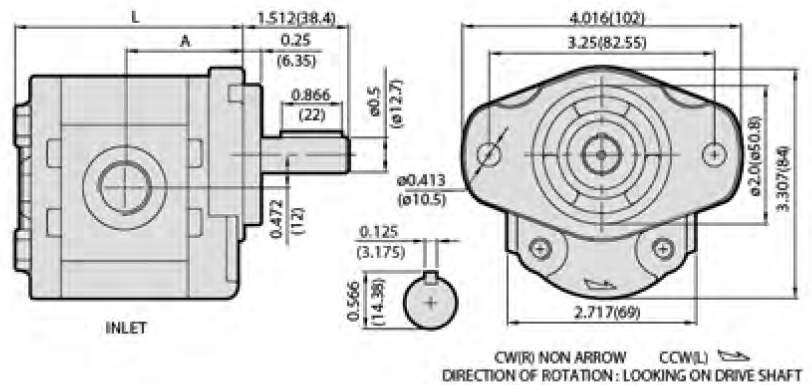


OVERALL DIMENSIONS



ORDERING EXAMPLE

For Example **1** **A** **G** **2** **U** **□□** **□**
 SERIES TYPE FLANGE SHAFT PORT DISPL. ROTATION
 If you need pump with displ.0.31 c.i.r and rotation is cw, the model number is : **1AG2U05R**

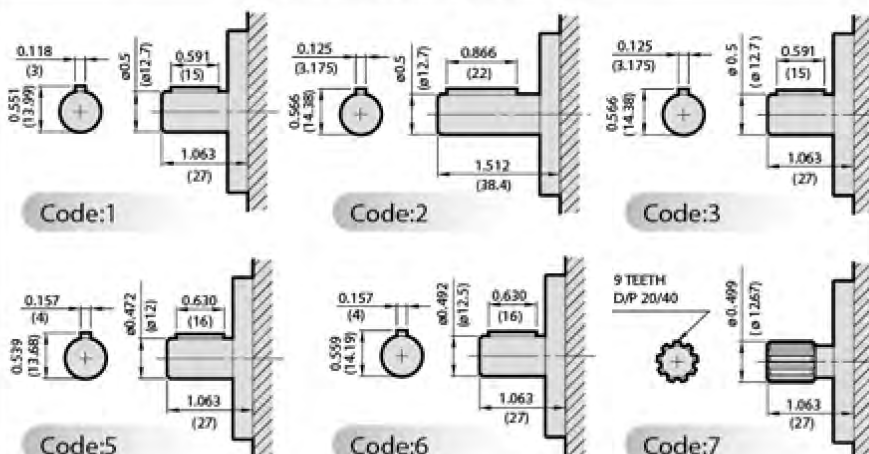
PERFORMANCE DATA

MODEL	DISPLACEMENT		PRESSURE psi(MPa)		RPM RANGE	DIMENSIONS inch(mm) SUITABLE "G", "C", "E" MOUNTING FLANGES		WEIGHT	
	c.i.r	cm ³ /r	CONTINUOUS	MAX.		A	L	Kg	LBS
05	0.04	0.6	3000(21)	3600(25)	600	1.626(41.3)	3.114(79.1)	1.09	2.40
01	0.08	1.3	3000(21)	3600(25)		1.655(42.0)	3.173(80.6)	1.10	2.42
02	0.12	2.0	3000(21)	3600(25)		1.694(43.0)	3.252(82.6)	1.14	2.51
27	0.16	2.7	3000(21)	3600(25)		1.734(44.0)	3.331(84.6)	1.18	2.60
35	0.21	3.4	3000(21)	3600(25)		1.773(45.0)	3.409(86.6)	1.21	2.66
04	0.25	4.1	3000(21)	3600(25)	4000	1.813(46.0)	3.488(88.6)	1.25	2.75
05	0.31	5.1	3000(21)	3600(25)		1.872(47.5)	3.606(91.6)	1.30	2.86
06	0.37	6.1	3000(21)	3600(25)		1.931(49.0)	3.724(94.6)	1.35	2.97
07	0.45	7.4	2850(20)	3300(23)		2.009(51.0)	3.882(98.6)	1.41	3.10
09	0.55	9.1	2550(18)	2850(20)		2.108(53.5)	4.079(103.6)	1.49	3.28
11	0.67	11.0	2300(16)	2550(18)	600 (*)2500	2.226(56.5)	4.315(109.6)	1.58	3.48
13	0.82	13.5	2300(16)	2550(18)		2.364(60.0)	4.591(116.6)	1.69	3.72

*More then 2500 qualified per applications.

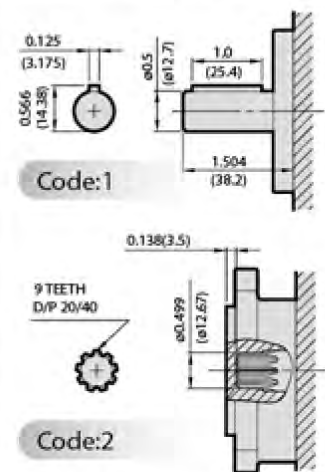
DRIVE SHAFTS

SUITABLE FOR G FLANGE

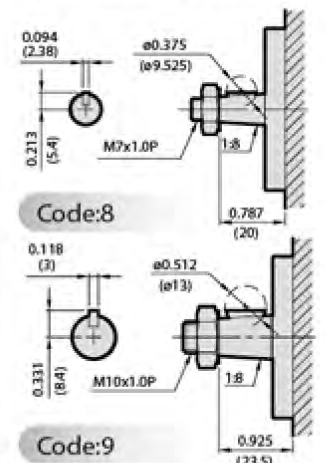


DRIVE SHAFTS

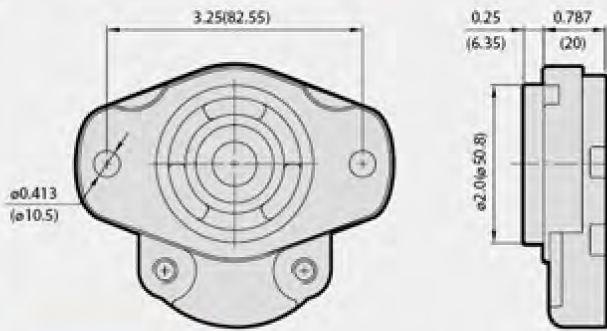
SUITABLE FOR K L FLANGE



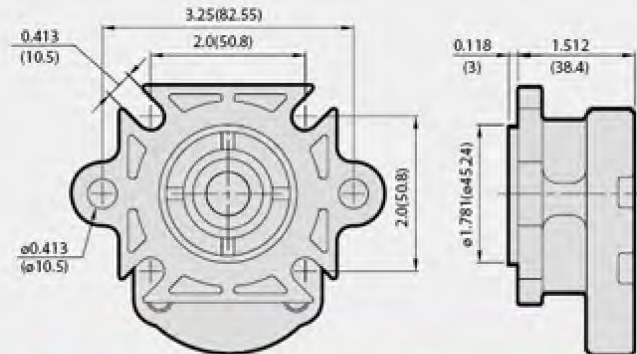
SUITABLE FOR C E FLANGE



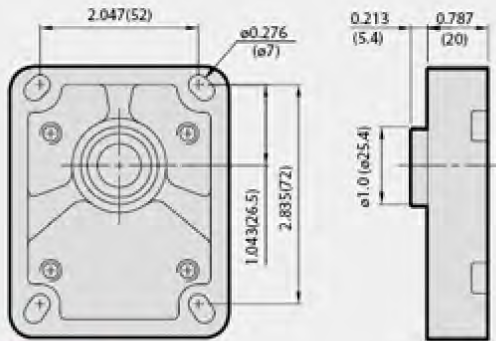
■ MOUNTING FLANGES



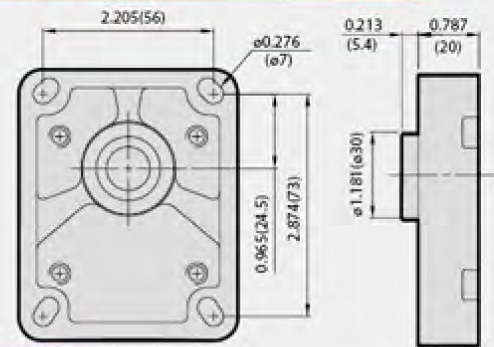
Code:G



Code:K- SAE AA-2 Bolts&4F17-4 BOLTS
Code:L- 4F17-4 BOLTS



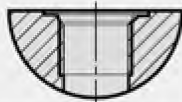
Code:C



Code:E

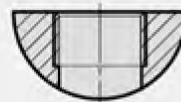
■ PORTS

UNF



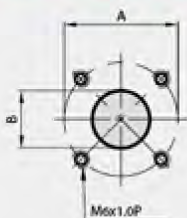
Code	From "05" to "06"		From "07" to "13"	
	INLET	OUTLE	INLET	OUTLET
U	UNF# 8 3/4"-16	UNF# 6 9/16"-18	UNF# 10 7/8"-14	UNF# 8 3/4"-16

PT · NPT · BSPF



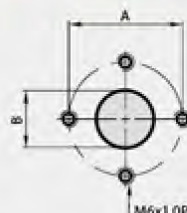
Code	From "05" to "06"		From "07" to "13"	
	INLET	OUTLE	INLET	OUTLET
P	PT 1/2"	PT 3/8"	PT 3/4"	PT 1/2"
N	NPT 1/2"	NPT 3/8"	NPT 3/4"	NPT 1/2"
B	BSPF 1/2"	BSPF 3/8"	BSPF 3/4"	BSPF 1/2"

FLANGE (SQUARE)



Code	From "05" to "13"	
	INLET & OUTLET	
F	A	B
	01.181 (030)	00.511 (013)

FLANGE (DIAMOND)



Code	From "05" to "13"	
	INLET & OUTLET	
E	A	B
	01.181 (030)	00.511 (013)