

FLOWSTAT TURBINE FLOW SENSOR

Ideal for monitoring various fluids in applications such as chillers/cooling circuits, HVAC, medical equipment, batching and industrial process control applications.



TECHNICAL SPECIFICATIONS

Measuring Accuracy ±2% of full scale	Fluid Temperature Range 20-225°F (-7° to 107°)
Repeatability ±0.5% of full scale	Maximum Operating Pressure Stainless steel cover: 500 PSIG (34 Bar) Clear polycarbonate cover: 200 PSIG (14 Bar)
Flow Measuring Range 1/2" porting: 0.5–15 GPM (2–60 LPM) 1/2" porting low flow option: 0.25–4.5 (1–17 LPM) 3/4" – 1" porting: 1.5–50 GPM (60–200 LPM)	Filtration Requirements 150 Micron filter recommended
Turn Down Ratio 10:1	Standard Calibration Fluid Water @ 70°F Temperature (21°C), 1.0 sg

MATERIALS OF CONSTRUCTION

Wetted Components	
Component	Materials
Casing	Stainless Steel 316
Cover	Clear polycarbonate (Optional Stainless Steel 316)
Seal	Buna-N® (other options available)
Impeller	Acetal Copolymer
Bearing	PEEK (Polyetheretherketone)
Shaft	316 Stainless Steel

Non-Wetted Components	
Component	Materials
Encapsulant	Epoxy
Strain Relief	Nylon
Lock Ring	Stainless Steel
Wire Insulation	High-Temperature PVC

Buna-N is a registered trademark of Chemische Werke Huls.

BENEFITS

Choice of Three Port Sizes

Select from 1/2", 3/4" or 1" NPT porting to meet system requirements.

NOTE: Using reduced ID fittings will affect calibrated range.

Encapsulated Circuitry

Withstands the harshest environments.

Several Outputs Available

The standard interface is a 2-wire, 4-20mA current loop. Sensor signal may be transmitted on a low cost wire without degradation. Pulse, relay and 0-5 VDC (regulated) are also available.

Connects Directly to your Flow Monitoring Instruments

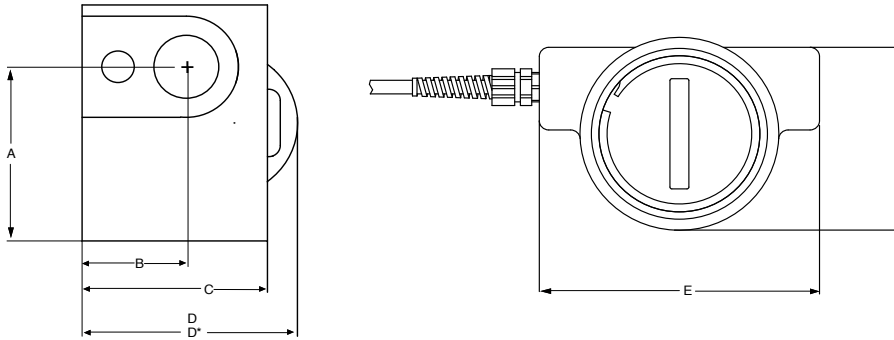
Can be connected directly to analog acquisition cards, chart recorders or other monitoring instruments, without external signal conditioning.

Simply Plumb and Apply Power

Comes factory calibrated to your flow range specifications.

FLOWSTAT TURBINE FLOW SENSOR

Ideal for monitoring various fluids in applications such as chillers/cooling circuits, HVAC, medical equipment, batching and industrial process control applications.



MECHANICAL DIMENSIONS

DIM	1/2" NPTF	3/4" NPTF- 1" NPTF
A	1.94" (49mm)	3.06" (78mm)
B	1.13" (29mm)	1.33" (34mm)
C	2.00" (51mm)	2.46" (62mm)
D	2.45" (62mm)	2.78" (71mm)
D*	2.45" (62mm)	2.88" (73mm)
E	3.70" (94mm)	5.25" (133mm)
F	2.63" (67mm)	3.80" (97mm)

*Dimensions with clear polycarbonate cover installed.

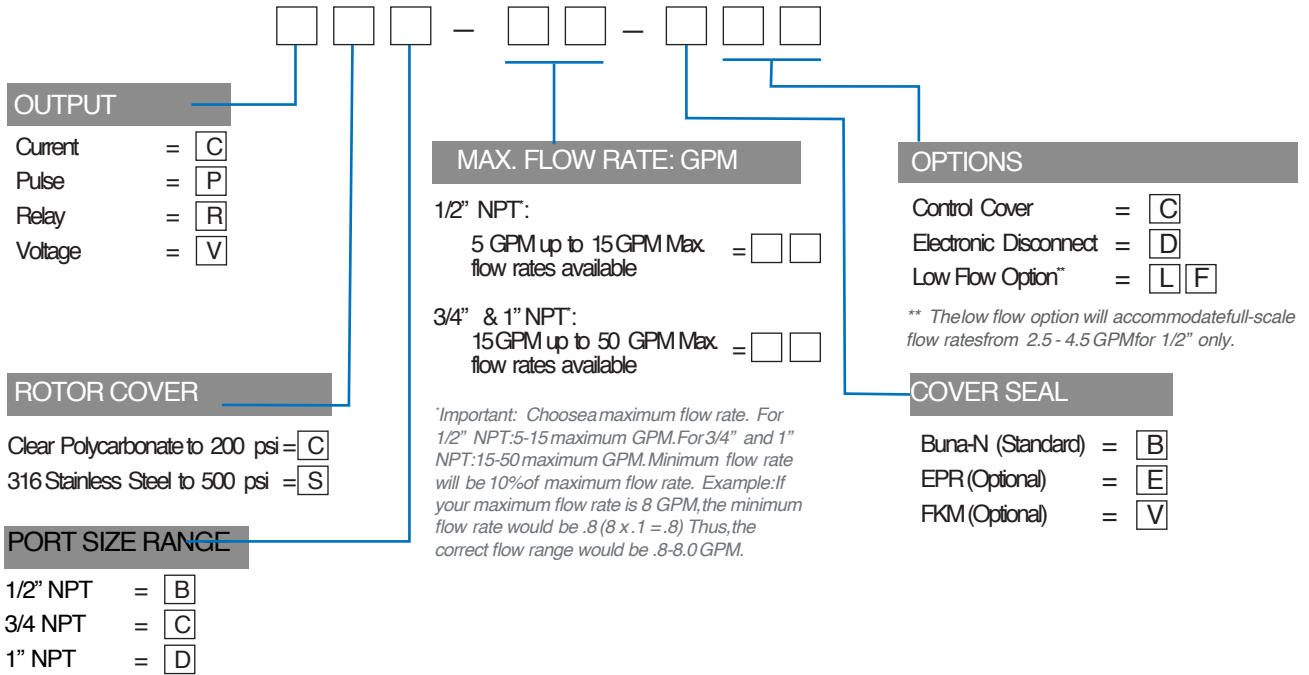
ELECTRONIC SPECIFICATIONS

4-20 mA version		0-5 VDC(regulated) version	
Power Requirements	12-24 VDC, Regulated, Loop powered	Power Requirements	12-24 VDC, Regulated
Load driving capacity	Use the following equation to calculate maximum load resistance: Max Loop Load (Ω) = 50 (Power supply volts - 12).	Maximum Current	25 mA DC, Regulated
Maximum Transmission Distance	Limited only by wire resistance & supply voltage	Minimum Load resistance	1000 Ohms
Responsetime	2 seconds to 90%(step change)	Maximum Transmission Distance	200 feet recommended
Resolution	Infinite	Resolution	Infinite
Over-current limit	Self limiting at 35 mA	Responsetime	< 5 seconds to 90%(step change)
Other protection	Reverse polarity		
Relay Output		Pulse Output Version	
Power Requirements	12-24 VDC, Regulated	Power Requirements	12-24 VDC, Regulated
Maximum Transmission Distance	200 feet recommended	Response Time	<100 mS
Switch Contact	Form C, 5A max 120 or 240 VAC	Maximum Current	25 mA DC, Regulated
SetPoint Repeatability	1% of full scale	Maximum Transmission Distance	200 feet recommended
		Minimum Load Resistance	1000 Ohms
		Protection	Short circuit & reverse polarity
		K-Factor	1/2" port \approx 200 pulses/gallons 3/4" & 1" ports \approx 60 pulses/gallons

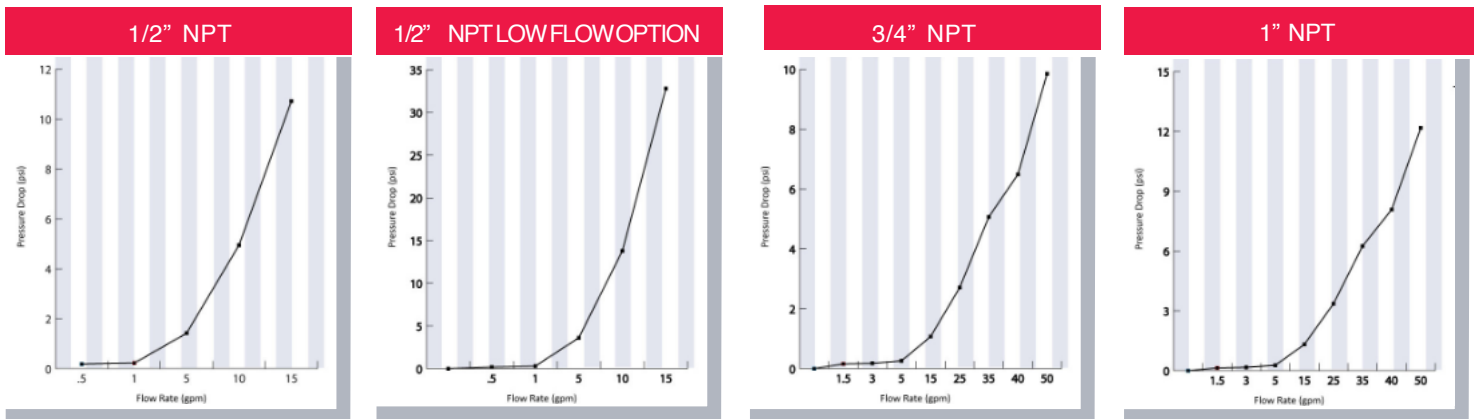
FLOWSTAT TURBINE FLOW SENSOR

Ideal for monitoring various fluids in applications such as chillers/cooling circuits, HVAC, medical equipment, batching and industrial process control applications.

PART NUMBER GUIDE



TYPICAL PRESSURE DIFFERENTIALS



Products may be subject to change without notice - Contact factory for the most up-to-date product information.