



# ECO.pump

## EXTERNAL GEAR DOSING PUMP



New to the Beinlich lineup, the ECO.pump boasts as a highly capable external gear pump at an economical price point. Competent at metering viscous media up to 200,000 mPa·s, the ECO.pump lends itself to many common applications. The stainless steel body and compact design allow the pump to be used as an in-line device and maintain a rust free integrity. Available with a variety of displacement sizes, the ECO.pump is the cost effective solution for your metering pump needs.

## OPERATING CONDITIONS

### SPEED

10 - 400 rpm  
(Depending on the respective operating conditions)

### PUMP PRINCIPLE

Low pulsation external spur gears

### ROTATION

Clockwise (cw), right

### VISCOSITY

10 - 200,000 mPa·s  
(Depending on the respective operating conditions)

### DISPLACEMENTS CC/REV

ECO.pump  
0.15 / 0.3 / 0.6 / 1.2 / 1.8 / 2.4 / 3.0 / 4.8 / 6.0

### TEMPERATURE

-20°C up to +100°C (standard version)  
Special designs are available for deviating temperatures.

### PRESSURE

Operating pressure up to 40 bar  
Pressure max. 50 bar

### MATERIALS

440B stainless steel or aluminium housing

### COMMON APPLICATIONS

Dosing of media without fillers:  
isocyanates, adhesives, silicones, polyols, hotmelts,  
paints and oils

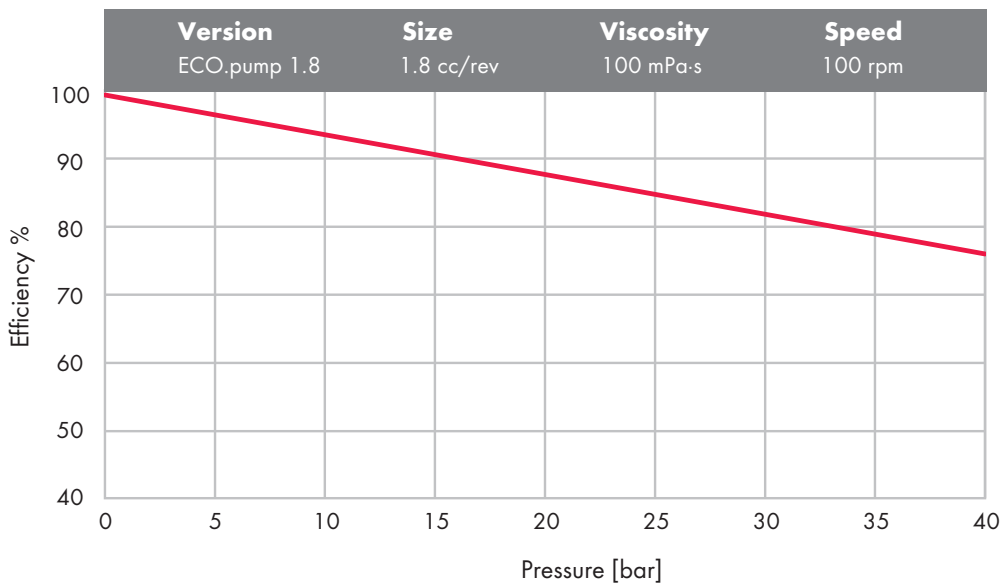
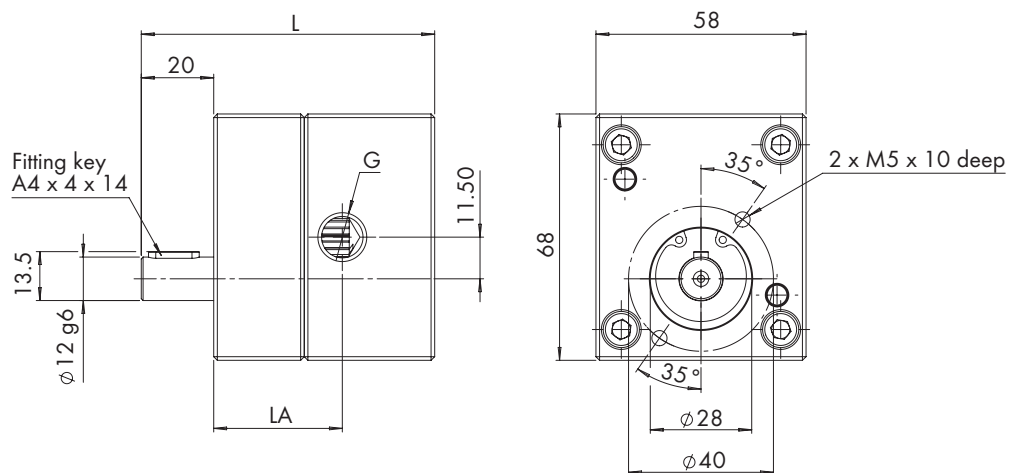
### HIGHLIGHTS

- Low-pulsation dosing of the medium
- Easy and fast assembly and disassembly
- Economical
- Light weight

# DISPLACEMENT SIZES & SPECIFICATION

Size	Displacements cc/rev	Flowrate [l/min] at		Operating pressure bar	Dimensions mm		
		10 rpm	400 rpm		L	LA	"G"
1	0.15	0.0015	0.06	40	81	35.5	1/4"
1	0.30	0.003	0.12	40	81	35.5	1/4"
1	0.60	0.006	0.24	40	81	35.5	1/4"
1	1.20	0.012	0.48	40	81	35.5	1/4"
1	1.80	0.018	0.72	40	81	35.5	1/4"
1	2.40	0.024	0.96	40	81	35.5	1/4"
1	3.00	0.03	1.20	40	81	36.5	3/8"
1	4.80	0.048	1.92	40	102	41.0	1/2"
1	6.00	0.06	2.40	40	102	41.0	1/2"

## SIZE 1



**Version** ECO.pump 1.8  
**Size** 1.8 cc/rev  
**Viscosity** 100 mPa·s  
**Speed** 100 rpm