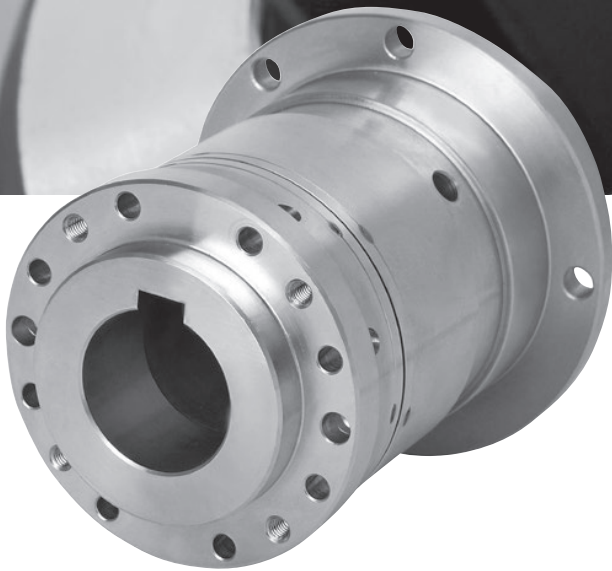


SSiC PLAIN BEARINGS



Predominantly for use in centrifugal pumps, DST produces complete SSiC ceramic plain bearings. The bearings are available as axial and radial types and can be combined with the DST standard permanent magnetic couplings. SSiC ceramic plain bearings are produced using newest material combinations and modern manufacturing technology.

FEATURES

SIZES

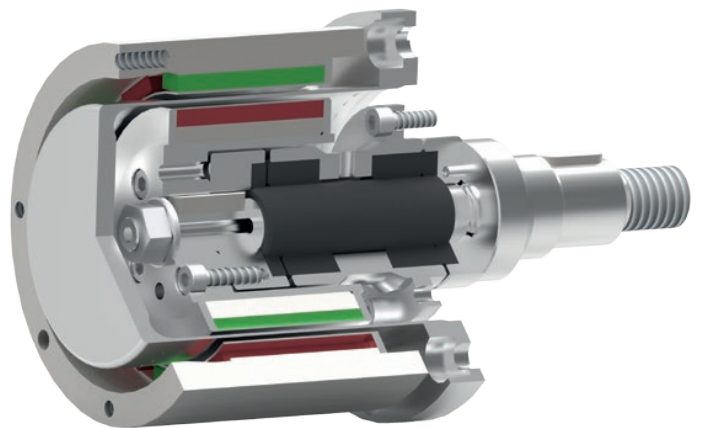
- DST Standard 60 to 200
- Customer-specific design on request

HIGHLIGHTS

- Very good corrosion resistance
- High wear resistance
- Very good thermal shock resistance
- Conditioned dry running capacities (on request)

MATERIALS

- Bearing: SSiC, SSiC with carbon parts
- Housing: 1.4571, 1.4462, 1.4404, 3.7035



DST standard magnetic coupling including SSiC ceramic plain bearing