



UK Flowtechnik

Specialists in flow metering, pumps, couplings
and process measurement equipment

PRODUCT DATASHEET

UK Flowtechnik Ltd
1 Central Park
Lenton Lane
Nottingham
NG7 2NR
United Kingdom

Phone +44 (0) 11 59 01 71 11
UK Free Phone 0800 4334 770
Fax +44 (0) 11 59 86 88 75

sales@ukflowtechnik.com
www.ukflowtechnik.com

OM Medium Oval Gear

The FLOMEC® OM Medium Capacity Meters are great for medium flow ranges and have the ability to handle a wide range of fluid viscosities.



Features & Benefits

- High accuracy and repeatability, direct volumetric reading
- Measures high and low viscosity liquids
- Quadrature pulse output option and bi-directional flow
- Optional Exd I/IIB approval (ATEX, IECEx)
- No requirement for flow conditioning (straight pipe runs)
- Only two moving parts

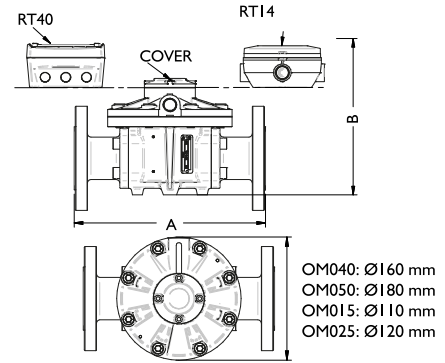
OV
AL
GEAR
FLOWMETERS

Technical

	OM015	OM025	OM040	OM050
Flow Range l/min	1-40	10-150	15-250	30-500 (30-450 with Stainless Steel gears)
Connection Size	1/2	1"	1.1/2"	2"
Reed Switch Meter Factor (Pulses per litre)	84	27	14	6.5
Hall Effect Meter factor (Pulses per litre)	168	107	56	26
Body Material	Aluminium or 316 Stainless Steel			
Gear Material	Carbon filled PPS or Stainless Steel with Carbon/Ceramic bearings			
Seals	Viton (standard), options for PTFE encapsulated Viton or Buna-N (Nitrile)			
Linearity	+/- 0.5% of Reading			
Aluminium Max Pressure (Bar)		68	30	20
Aluminium Intermediate Max Pressure	/	138	/	/
Stainless Steel Max Pressure (Bar)		68	30	38
StSt Intermediate Max Pressure (Bar)		100		50
Max Temperature (°C)	120°C standard, 150° high temperature version, 80°C with directly mounted display			
Output	Reed switch (30V, 200 mA max) or Hall effect NPN pulsed output (5-24 Vdc, 20 mA max)			
Options	Explosion Proof, high resolution and directly mounted battery powered displays (ATEX/IECEX versions)			

Dimensional Data

	015A	015S/N	025A	025S/N	040A	040S/N	050
A (Threaded)	110	137	176	176	188	188	212
A (Flanged)	189	198	237	237	252	252	277
B (RT14)	154	148	168	165	203	194	218
B (RT40)	157	151	171	168	206	197	221
B (cover)	106	100	123	117	155	146	170



Ordering

OMO25 A 00 1 - 8 1 2 R4

Meter Size

1-40 l/min (½")	OM015
10-150 l/min (1")	OM025
15-250 l/min (1.1/2")	OM040
30-450 l/min (2") (with Stainless Steel gears)	OM050
30-500 l/min (2") (with PPS gears)	OM050

Body Material

Aluminium	A
Intermediate Pressure Aluminium (OM025 only max 138 Bar)	M
316 Stainless Steel	S
Intermediate Pressure 316 Stainless Steel (OM015 & OM025 100 Bar max, OM040 & OM050 50 Bar max)	N

Cable Entries

M20x1.5 (M16x1.5 for R4 & R7)	1
½" NPT	2
3x 16mm drilled holes (for F series & RT40 instruments only)	6

Connections

BSPP female	1
NPT female	2
Tri-Clamp (1/2 size larger than meter size)	3
ANSI 150LB Flange	4
ANSI 300LB Flange	5
DIN PN16 Flanges	6

Temperature Limits

120°C	2
150°C (Hall effect output only)	3
120°C (for integral instruments and includes cooling fin)	5
80°C (Meters with integral instruments or OM008 with PPS gears)	8

Integral Options

No option (just pulsed output)	--
Reed Switch Only (for Intrinsically safe applications)	RS
Explosion proof Exd IIB T3...T6 (Aluminium & Stainless Steel meters) [IECEX & ATEX approved]	E1
Explosion proof Exd I/IIIB T3...T6 (Stainless Steel meters only) [IECEX & ATEX mines approved]	E2
Quadrature pulse (2 NPN phased outputs)	QP
Explosion proof ~ Exd (with quadrature pulse) [IECEX & ATEX approved]	Q1
High Resolution Hall Effect output (004 - 006 only)	HR
Explosion proof ~ Exd with HR Hi-Res. Hall option (004-006 only)	H1
RT40 backlit rate totaliser with all outputs (Alloy housing with facia protector) [scalable pulse output, backlight]#	R4
RT14 backlit rate totaliser with all outputs (GRN housing) [scaled pulse, alarms, 4-20mA, backlight]#	R5
Intrinsically safe RT14 backlit rate totaliser with all outputs (GRN housing) [scaled pulse, alarms, 4-20mA, backlight][IECEX & ATEX approved]#	R6
RT40 backlit rate totaliser with all outputs (GRN housing) [scalable pulse output, backlight]#	R7
E018 backlit rate/tot, pulse, 4-20 mA, lin, HART (AI), Incl. Line Bushing [IECEX & ATEX approved]#	E18
E018 backlit rate/tot, pulse, 4-20 mA, lin, HART (SS), Incl. Line Bushing [IECEX & ATEX approved]#	E19
F018 backlit rate/tot, pulse out, 4-20mA, 10 pt lin, HART#	F18
F018 Intrinsically Safe backlit rate/tot, pulse out, 4-20mA, 10 pt lin, HART [IECEX & ATEX approved]#	F19
F130 Intrinsically Safe 2 stage batch controller [IECEX & ATEX approved]#	F31

Gear Material

PPS (not available for 150°C meters)	00
PPS Keishi cut High Viscosity gears (not available for 150°C meters)	10
Stainless Steel	51
Keishi cut High Viscosity Gears in Stainless Steel	71

Seal Material

Viton (standard) -15 to +200°C	1
PTFE encapsulated Viton	3
Buna-N (Nitrile) -65 to +100°C	4

*Temp code 5 required for integral instruments between 176°F (80°C) & 250°F (120°C)

#Temp code 8 required for integral instruments below 176°F (80°C) by 20%

+ Derate pressure ratings by 70%