



UK Flowtechnik

Easy fill in the blank coupling specification

Important Information:

Your Name: _____

Your Company: _____

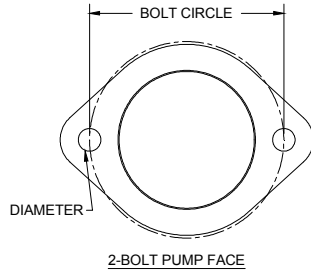
Phone: _____

Fax: _____

Email: _____

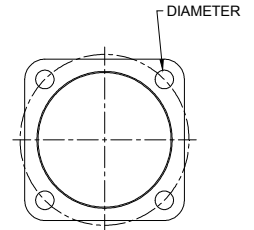
Engine HP: _____

Engine Torque: _____
@ RPM: _____



2-BOLT PUMP FACE

BOLT CIRCLE _____
DIAMETER _____



4-BOLT PUMP FACE

FLYWHEEL DATA

PILOT DIA _____
BOLT CIRCLE _____
OF HOLES _____

FLYWHEEL HOUSING DATA

PILOT DIA _____
BOLT CIRCLE _____
O.D. _____
OF HOLES _____

FLYWHEEL TO HOUSING

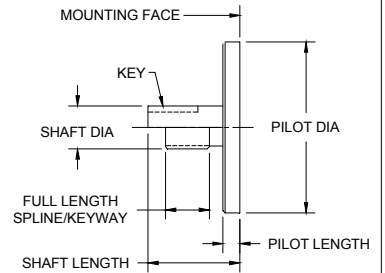
BACKSET _____

STANDARD DATA

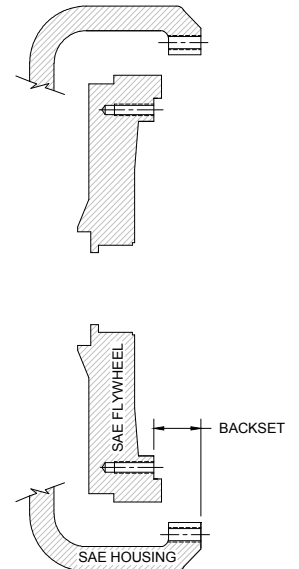
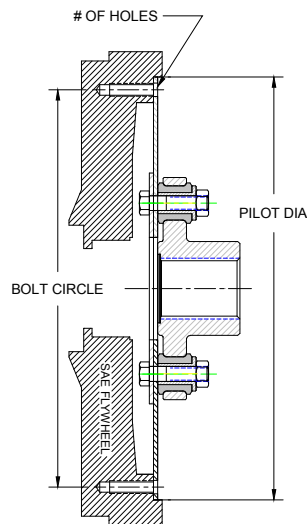
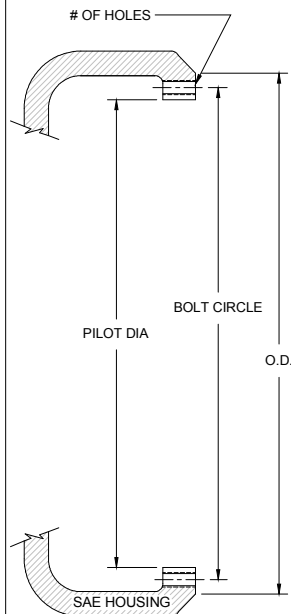
PILOT DIA _____
SHAFT DIA _____
SHAFT LENGTH _____
KEY WIDTH _____
FULL KEY/SPLINE LENGTH _____
PILOT LENGTH _____

SPLINE DATA

OF TEETH _____
D.P. _____
P.A. _____



PUMP SHAFT INFORMATION



UK Flowtechnik Ltd
1 Central Park
Lenton Lane
Nottingham
NG7 2NR
Phone: +44 (0)1159 017111
www.ukflowtechnik.com