



UK Flowtechnik

Specialists in flow metering, pumps, couplings
and process measurement equipment

PRODUCT DATASHEET

UK Flowtechnik Ltd
1 Central Park
Lenton Lane
Nottingham
NG7 2NR
United Kingdom

Phone +44 (0) 11 59 01 71 11
UK Free Phone 0800 4334 770
Fax +44 (0) 11 59 86 88 75

sales@ukflowtechnik.com
www.ukflowtechnik.com

OM Mechanical Oval Gear Flowmeter

Volumetric flow measurement of clean liquids. Suitable for applications for safe area metering of fuel oils, lubricants, and other non-flammable viscous chemicals.



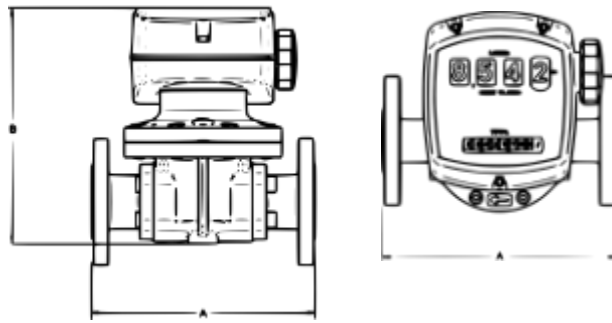
Features & Benefits

- High accuracy oval gear technology with low pressure drop can be used in gravity-fed applications
- No requirement for flow conditioning or straight pipe runs makes them ideal for compact installations with limited space
- Robust aluminium mechanical registers
- Optional air eliminator/strainers

Technical Data

	OM015	OM025	OM040	OM050	OM080	OM80E	OM100	OM100E
Flow Range l/min	1-40	10-150	15-250	30-500 (30-450 with Stainless Steel gear)	35-750	50-1,000	75-1,500	150-2,500
Connection Size	1/2"	1"	1.1/2"	2"	3"		4"	
Body Material	Aluminium or 316 Stainless Steel					Aluminium		
Gear Material	Carbon filled PPS or Stainless Steel with Carbon/Ceramic bearings					Carbon filled PPS		Aluminium (with roller bearings)
Seals	Viton (standard), options for PTFE encapsulated Viton or Buna-N (Nitrile)							
Linearity	+/- 1% of Reading with 'M' register			+/- 1% of Reading with 'M' register (+/- 0.5% for V1 register)				
Max Pressure (Bar)	40	30	20	12		10		
Max Temperature (°C)	80°C							

Dimensional Data



	015	025	040	050	080	080E	100	100E
A (Threaded)	110	137 (176 on StSt version)	188	212	266	294	294	320
A (Flanged)	189	198 (237 on StSt version)	252	277	354	382	388	414
B	178	188 (214 on StSt version)	227	237	270	288	333	416

Ordering Information

OM025 A 00 I - 8 10 M3

Meter Size	
1-40 l/min (1/2")	OM015
10-150 l/min (1")	OM025
15-250 l/min (1.1/2")	OM040
30-450 l/min (2") (with Stainless Steel gears)	OM050
30-500 l/min (2") (with PPS gears)	OM050
35-750 l/min (3")	OM080
50-1000 l/min Extended Flow range	OM080
75-1,500 l/min (4")	OM100
150-2,500 l/min (4") Extended Range <small>(Aluminium gears only)</small>	OM100

Body Material	
Aluminium	A
Extended flow Aluminium version (OM080E & OM100E only)	E
316 Stainless Steel (OM015 to OM080 only)	S

Gear Material	
PPS	00
PPS Keishi cut High Viscosity gears	10
Aluminium with Roller Bearings (OM100E only)	44
Stainless Steel (OM015 to OM080 only)	51
Keishi cut High Viscosity Gears in Stainless Steel <small>(OM015 to OM080 only)</small>	71

Mechanical Register	
4 digit mechanical totaliser - litre Totaliser capacity (OM015-OM040) 9999.9 litre (OM050-OM100E) 99999 litre	M3
4 digit mechanical totaliser - US gallons Totaliser capacity (OM015-OM040) 9999.9 gallon (OM050-OM100E) 99999 gallon	M4
5 digit mechanical reset register - litre Total capacity (OM50-OM100E) 999999 litre	V1

Connections	
BSPP female	10
NPT female	20
ANSI 150LB Flange	40
ANSI 300LB Flange	50
DIN PN16 Flanges	60

Temperature Limits	
80 °C	8

Seal Material	
Viton (standard) -15 to +80 °C	1
PTFE encapsulated Viton (includes FFKM shaft seals, -15oC minimum)	3
Buna-N (Nitrile) -40 to +80 °C	4