



UK Flowtechnik

Specialists in flow metering, pumps, couplings
and process measurement equipment

PRODUCT DATASHEET



UK Flowtechnik Ltd
1 Central Park
Lenton Lane
Nottingham
NG7 2NR
United Kingdom

Phone +44 (0) 11 59 01 71 11
UK Free Phone 0800 4334 770
Fax +44 (0) 11 59 86 88 75

sales@ukflowtechnik.com
www.ukflowtechnik.com

RT14 Flow Rate & Totalising Transmitter Display

The RT14 is a fully programmable self-powered flow rate totaliser specifically designed for computing & displaying flow rates & totals from flow meters with pulse, sine wave or frequency outputs. The instrument displays resettable (batch) total, accumulated total and instantaneous flow rates in engineering units as programmed by the user. Flow meter inputs: suitable use with most pulse/frequency output meters such as reed switch, coil, voltage pulse (Wiegand), NPN and PNP.



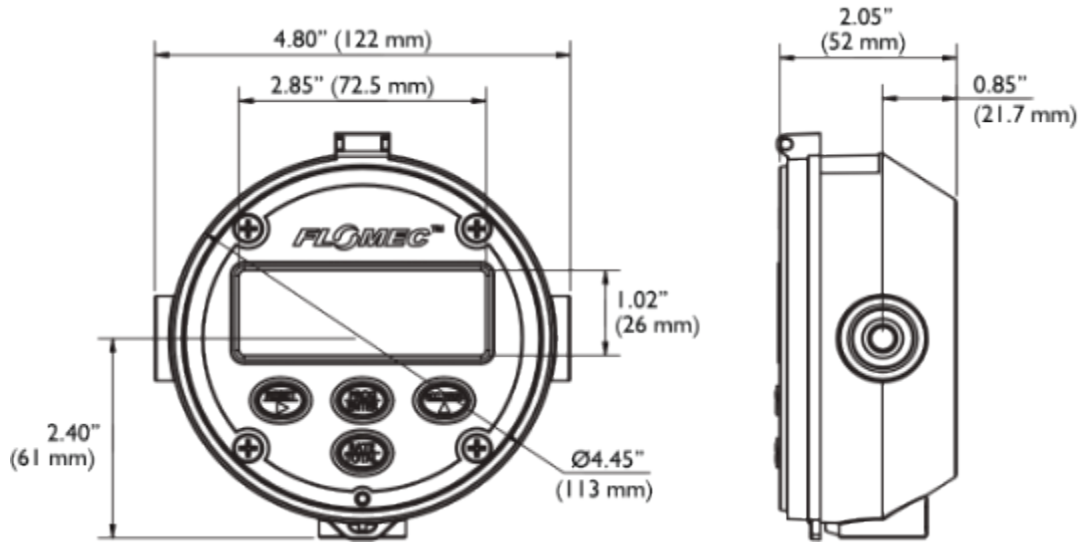
Features & Benefits

- Self or external powered, 8 digit LCD total, accumulated total and rate
- Robust IP66/67-NEMA4X universal mount glass reinforced nylon enclosure with rubberised buttons and polycarbonate lens
- Scaled pulse, 4-20mA (Loop Powered) output, multi-point linearisation of flow input or frequency inputs
- Flow alarm for high, low or high/low
- PIN protected programming
- Simple flow chart touch key programming
- Non volatile memory, long battery life
- Flowmeter and pipe mount kits available
- Reverse polarity protection

Technical Data

Display	12mm high, 8 digit (backlit if dc powered)
Engineering Units	Litres, Gallons, M3, Lbs, Kgs or no units
Input Types	Reed Switch, NPN, PNP, mV Sine Wave (coil), Voltage Pulse
Linearisation	10 points
Analogue Output	2 wire 4-20 mA
Control Outputs	1 x NPN for scaled/unscaled pulsed output or alarm
Power Supply	Internal Lithium battery, 12-30 Vdc
Enclosure rating	IP66/67
Mounting Options	Meter mounted on OM & RN flowmeter, panel or wall mount
Approvals	ATEX/IECEX Intrinsically Safe

Dimensional Data



Accessories	
Wall Mount Kit (Stainless Steel)	1522001
Pipe Mount Kit (Stainless Steel)	1522002

Ordering Information

